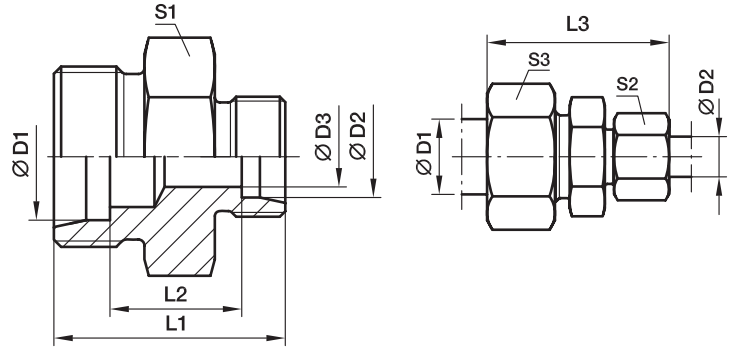


## GR Straight reducer

EO 24° cone end



Series	D1	D2	D3	L1	L2	L3	S1	S2	S3	Weight g/1 piece	Order code*	PN (bar) <sup>1)</sup>			
												CF	71	MS	
LL <sup>2)</sup>	06	04	3.0	20	10.5	32	11	10	12	7	<b>GR06/04LL</b>	100	100	63	
	08	04	3.0	22	12.5	34	12	10	14	9	<b>GR08/04LL</b>	100	100	63	
	08	06	4.5	22	11.0	34	12	12	14	11	<b>GR08/06LL</b>	100	100	63	
L <sup>3)</sup>	08	06	4.0	25	11.0	40	14	14	17	16	<b>GR08/06L</b>	500	315	200	
	10	06	4.0	26	12.0	41	17	14	19	21	<b>GR10/06L</b>	500	315	200	
	10	08	6.0	26	12.0	41	17	17	19	21	<b>GR10/08L</b>	500	315	200	
	12	06	4.0	27	13.0	42	19	14	22	26	<b>GR12/06L</b>	400	315	200	
	12	08	6.0	27	13.0	42	19	17	22	26	<b>GR12/08L</b>	400	315	200	
	12	10	8.0	28	14.0	43	19	19	22	29	<b>GR12/10L</b>	400	315	200	
	15	10	8.0	29	15.0	45	24	19	27	46	<b>GR15/10L</b>	400	315	200	
	15	12	10.0	29	15.0	45	24	22	27	45	<b>GR15/12L</b>	400	315	200	
	18	10	8.0	30	15.5	46	27	19	32	65	<b>GR18/10L</b>	400	315	200	
	18	12	10.0	30	15.5	46	27	22	32	64	<b>GR18/12L</b>	400	315	200	
	18	15	12.0	31	16.5	48	27	27	32	65	<b>GR18/15L</b>	400	315	200	
	22	12	10.0	32	17.5	48	32	22	36	80	<b>GR22/12L</b>	250	160	100	
	22	15	12.0	33	18.5	50	32	27	36	89	<b>GR22/15L</b>	250	160	100	
	22	18	15.0	33	18.0	50	32	32	36	89	<b>GR22/18L</b>	250	160	100	
	28	18	15.0	34	19.0	52	41	32	41	142	<b>GR28/18L</b>	250	160	100	
	28	22	19.0	36	21.0	54	41	36	41	139	<b>GR28/22L</b>	250	160	100	
	35	22	19.0	39	21.0	59	46	36	50	202	<b>GR35/22L</b>	250	160	100	
	35	28	24.0	39	21.0	59	46	41	50	206	<b>GR35/28L</b>	250	160	100	
	42	35	30.0	43	21.5	66	55	50	60	330	<b>GR42/35L</b>	250	160	100	
	S <sup>4)</sup>	08	06	4.0	32	18.0	47	17	17	19	35	<b>GR08/06S</b>	800	630	400
		10	06	4.0	32	17.5	48	19	17	22	41	<b>GR10/06S</b>	800	630	400
10		08	5.0	32	17.5	48	19	19	22	42	<b>GR10/08S</b>	800	630	400	
12		06	4.0	34	19.5	50	22	17	24	56	<b>GR12/06S</b>	630	630	400	
12		08	5.0	34	19.5	50	22	19	24	57	<b>GR12/08S</b>	630	630	400	
12		10	7.0	34	19.0	51	22	22	24	59	<b>GR12/10S</b>	630	630	400	
14		10	7.0	36	20.5	54	24	22	27	70	<b>GR14/10S</b>	630	630	400	
14		12	8.0	36	20.5	54	24	24	27	72	<b>GR14/12S</b>	630	630	400	
16		10	7.0	36	20.0	54	27	22	30	80	<b>GR16/10S</b>	630	400	250	
16		12	8.0	36	20.0	54	27	24	30	87	<b>GR16/12S</b>	630	400	250	
16		14	10.0	36	21.5	57	27	27	30	79	<b>GR16/14S</b>	630	400	250	
20		10	7.0	40	22.0	60	32	22	36	129	<b>GR20/10S</b>	420	400	250	
20		12	8.0	40	22.0	60	32	24	36	131	<b>GR20/12S</b>	420	400	250	
20		16	12.0	42	23.0	63	32	30	36	134	<b>GR20/16S</b>	420	400	250	
25		16	12.0	46	25.5	68	41	30	46	236	<b>GR25/16S</b>	420	400	250	
25		20	16.0	48	25.5	71	41	36	46	235	<b>GR25/20S</b>	420	400	250	
30		20	16.0	50	26.0	74	46	36	50	299	<b>GR30/20S</b>	420	400	250	
30		25	20.0	52	26.5	77	46	46	50	317	<b>GR30/25S</b>	420	400	250	
38	30	25.0	59	29.5	87	55	50	60	522	<b>GR38/30S</b>	420	315	200		

1) Pressure shown = item deliverable

2) LL = very light series; 3) L = light series; 4) S = heavy series

$$\frac{\text{PN (bar)}}{10} = \text{PN (MPa)}$$
**Delivery without nut and ring. Information on ordering complete fittings see page I7.**

 \*Please add the **suffixes** below according to the material/surface required.

Order code suffixes		
Material	Suffix surface and material	Example
Steel, zinc plated, Cr(VI)-free	CFX	GR16/12SCFX
Stainless Steel	71X	GR16/12S71X
Brass	MSX	GR16/12SMSX